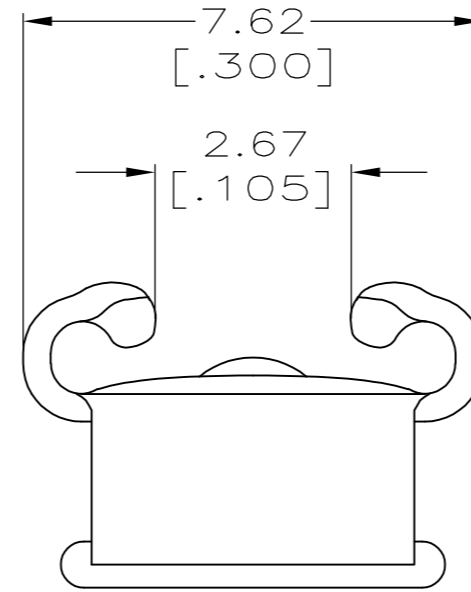
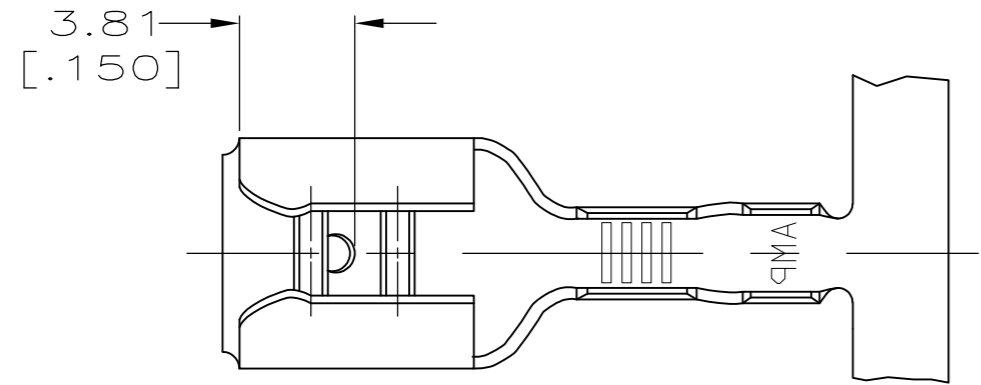


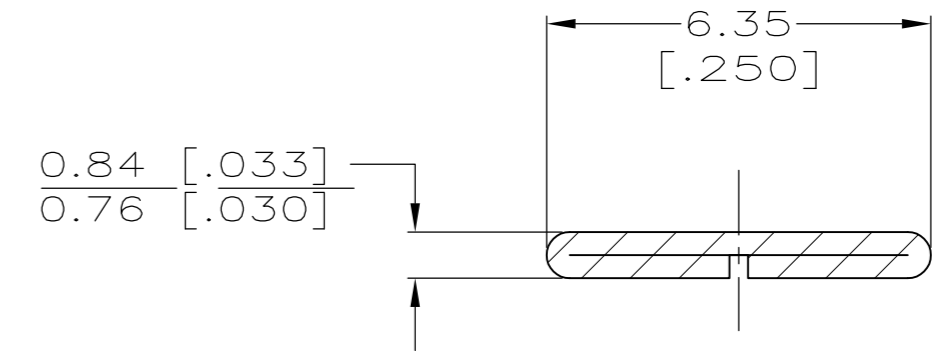
THIS DRAWING IS UNPUBLISHED. RELEASED FOR PUBLICATION
 © COPYRIGHT - By - ALL RIGHTS RESERVED.

LOC		DIST		REVISIONS			
P	LTR	DESCRIPTION		DATE	DWN	APVD	
AF	50	H		REVISED PER ECR-12-013459	27NOV2012	KH	PD

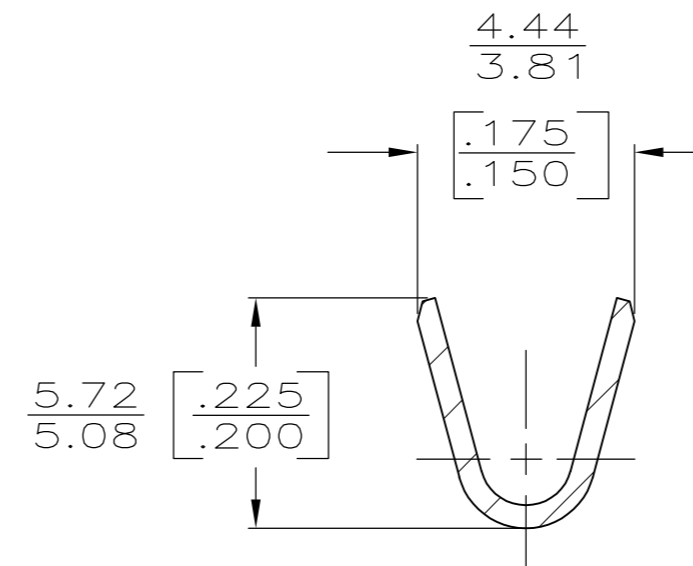
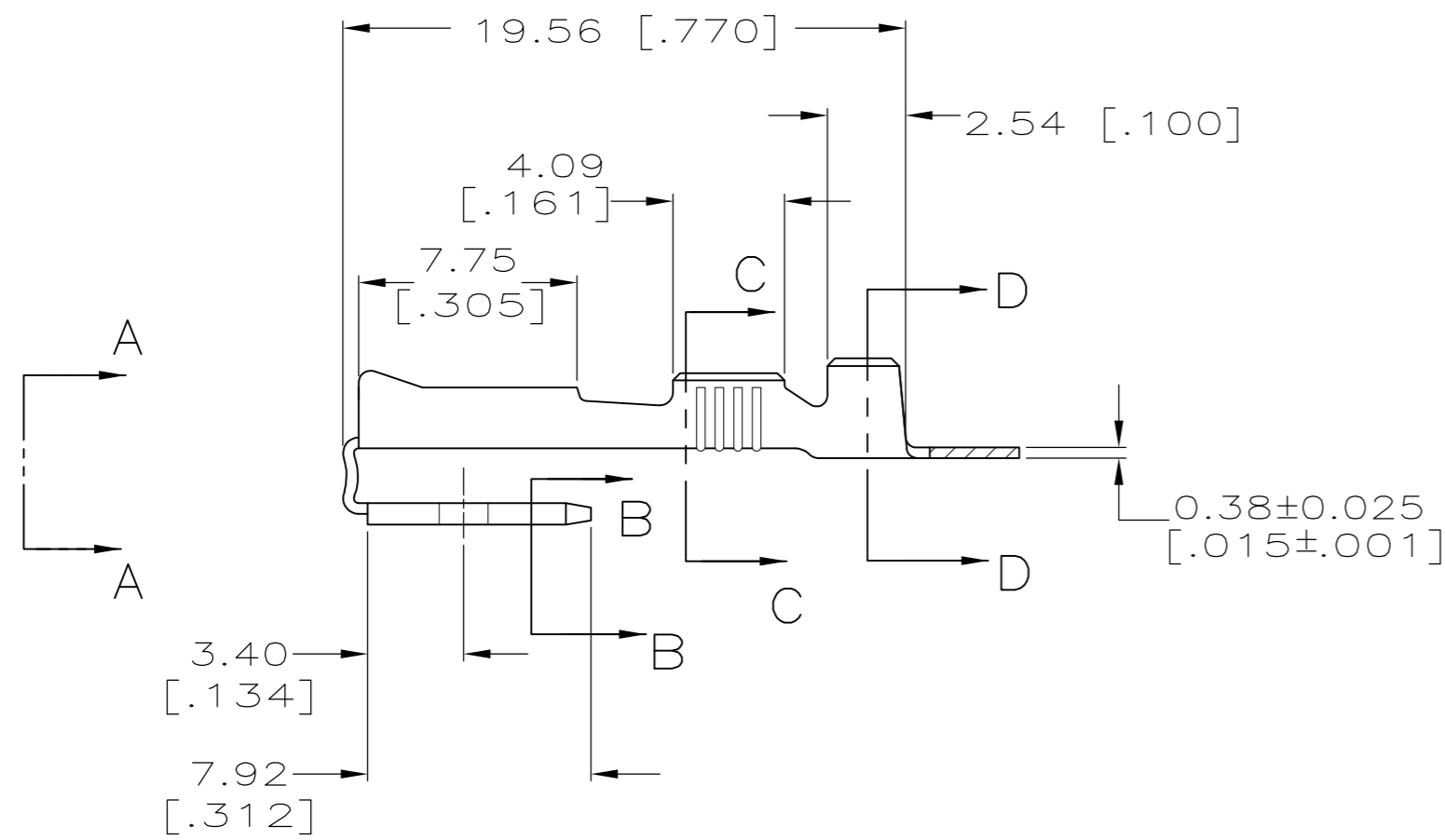
- CONTINUOUS STRIP ON REELS
- MATING TAB THK TO BE 0.81 ± 0.025 [.032±.001]
- WIRE SIZE IS #14-#10 AWG.
- INSULATION RANGE IS 3.81-5.08 [.150-.200] DIA.



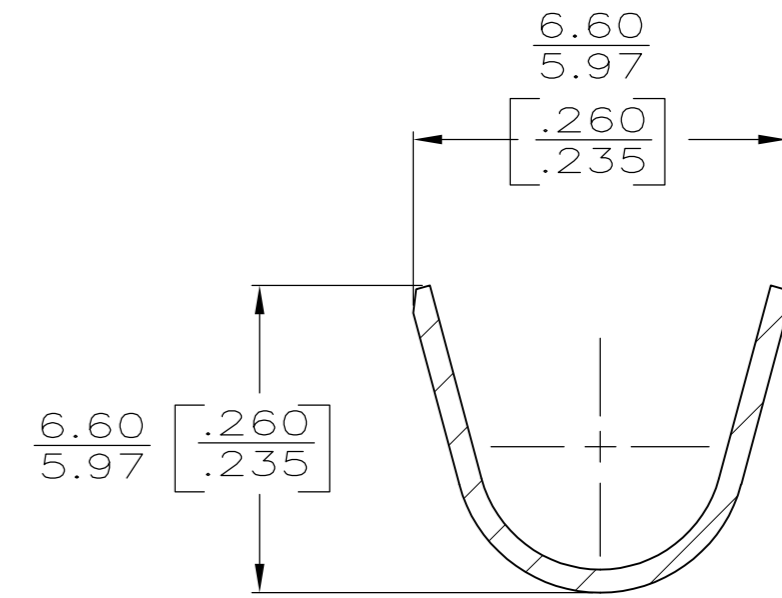
VIEW A-A
SCALE 8:1



SECTION B-B
SCALE 8:1



SECTION C-C
SCALE 8:1



SECTION D-D
SCALE 8:1

TIN	BRASS	62253-2
-	BRASS	62253-1
FINISH	MATERIAL	PART NO

THIS DRAWING IS A CONTROLLED DOCUMENT.		DWN	JR RUTH	7/12/89	 TE Connectivity							
DIMENSIONS: mm [INCHES]		CHK	MS FEHER	7/12/89								
TOLERANCES UNLESS OTHERWISE SPECIFIED:		APVD	C MEYERS	7/12/89								
0 PLC ± - 1 PLC ± - 2 PLC ± - 3 PLC ± 0.38 [.015] 4 PLC ± - ANGLES ± -		PRODUCT SPEC	NAME									
MATERIAL	SEE TABLE	APPLICATION SPEC	114-2082		SIZE	A2	CAGE CODE	00779	DRAWING NO	C=62253	RESTRICTED TO	-
FINISH	SEE TABLE	WEIGHT	-		SCALE	4:1	SHEET	1 OF 1	REV	H		
CUSTOMER DRAWING												